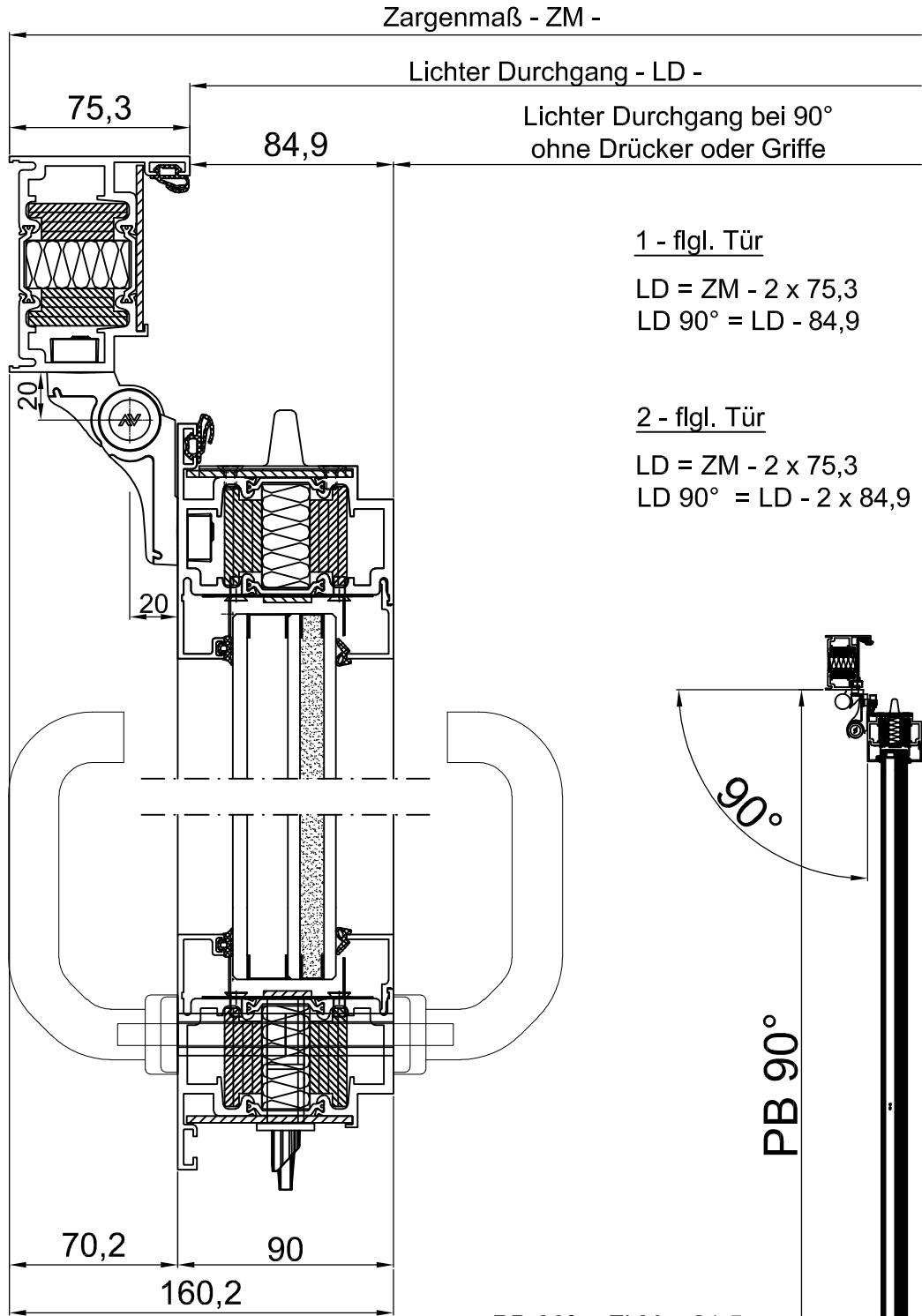


Savio - Band

Standard-Anschraubband mit 20 mm Bandabstand



1 - flgl. Tür

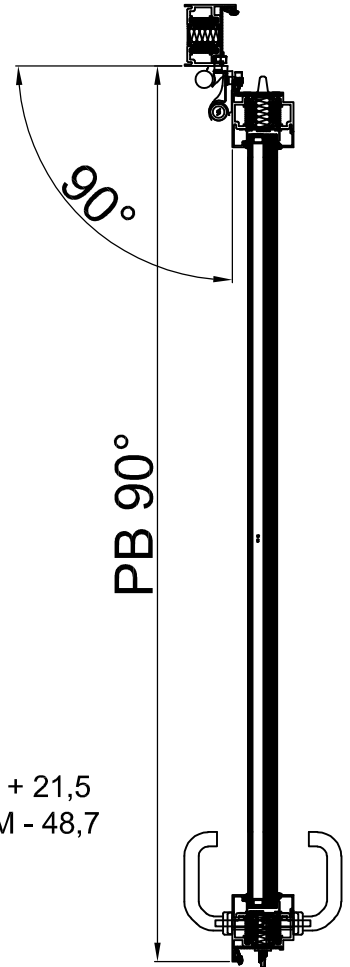
$$LD = ZM - 2 \times 75,3$$

$$LD 90^\circ = LD - 84,9$$

2 - flgl. Tür

$$LD = ZM - 2 \times 75,3$$

$$LD 90^\circ = LD - 2 \times 84,9$$



$$PB 90^\circ = FLM + 21,5$$

$$PB 180^\circ = FLM - 48,7$$

