

1

2

3

4

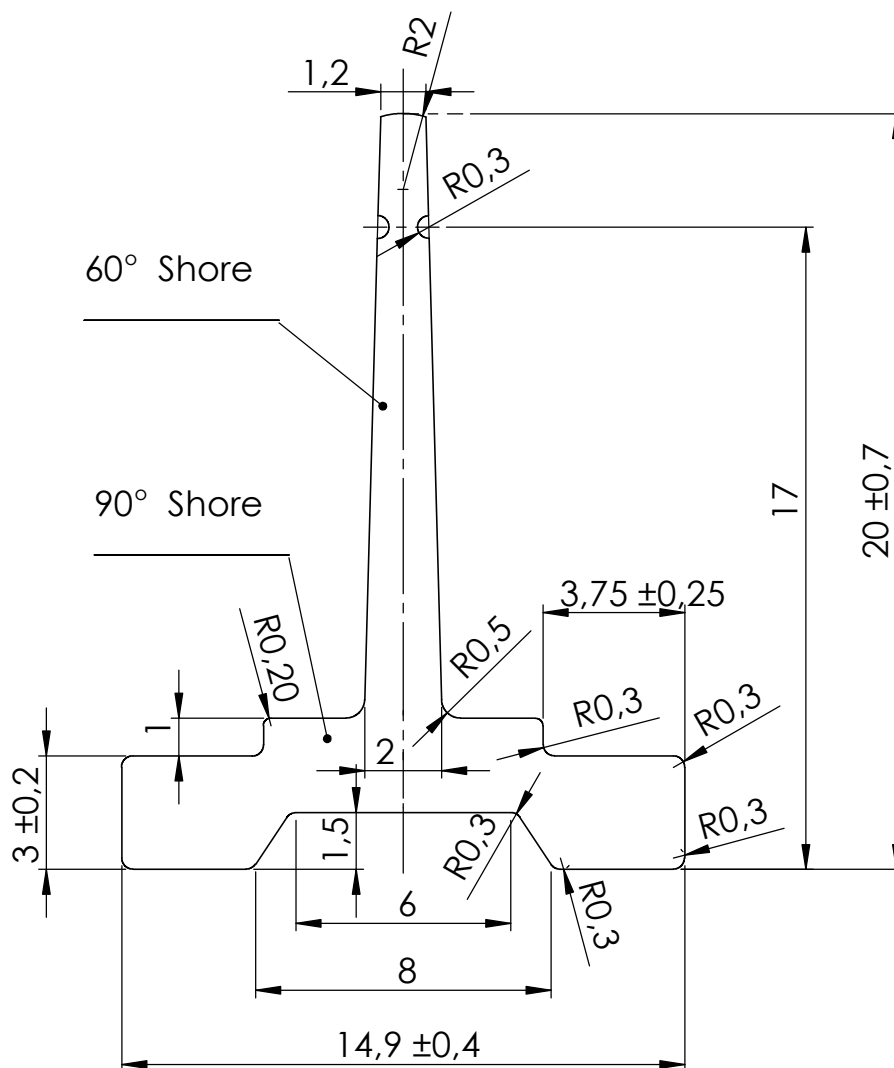
A

B

C

D

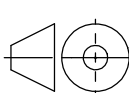
E



It is forbidden by law to copy, duplicate this document, to transmit it to any third party or to misuse it in any way.  
The drawing remains our property and is to be returned immediately after use.

General Tolerance:  
ISO 2768-mK

Debur and  
break  
sharp edges



Scale: 1:5

Revision:

Semifinished product:

	Name	Date
Drawn	Burdan A.	08.07.2008
Checked		
Approved		

Title:

Side sealing lenght L=20mm

F

Quality-A.

Last Saved: Alexandru 26.02.2009 14:54:09



Docking Solution und Service GmbH  
Springrad 4, D-30419 Hannover

Drawing Number:

040-NF-NSD-30002-00

A4

Sheet 1 of 1

Material: rubber

Weight: