

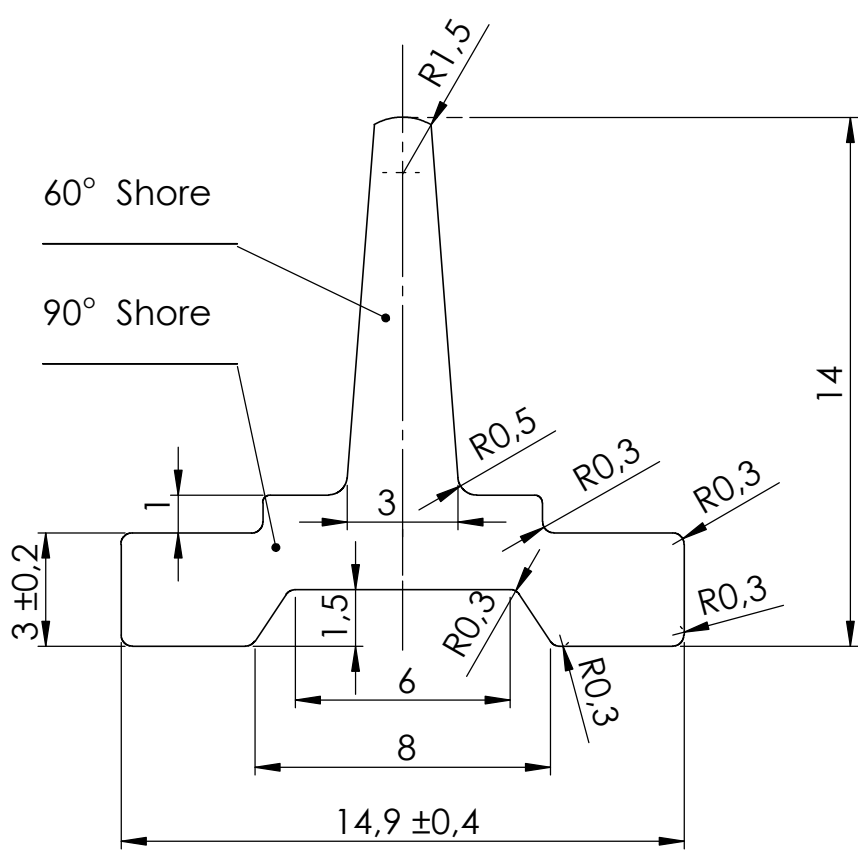
A

B

C

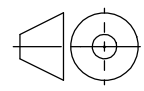
D

E



It is forbidden by law to copy, duplicate this document, to transmit it to any third party or to misuse it in any way.
The drawing remains our property and is to be returned immediately after use.

General Tolerance: ISO 2768-mK
Debur and break sharp edges



Scale: 1:5
Revision: 00

Semifinished product: Gummi

Name	Date
Drawn Balan Octavian	08.07.2008
Checked	
Quality-A.	

Title: Side sealing lenght L=14mm

Last Saved: Tavi 14.02.2012 12:55:28

mydocking.com
Docking Solution und Service GmbH
Springrad 4, D-30419 Hannover

Drawing Number: 040-NF-NSD-30001-00

Material: Gummi

A4
Sheet 1 of 1