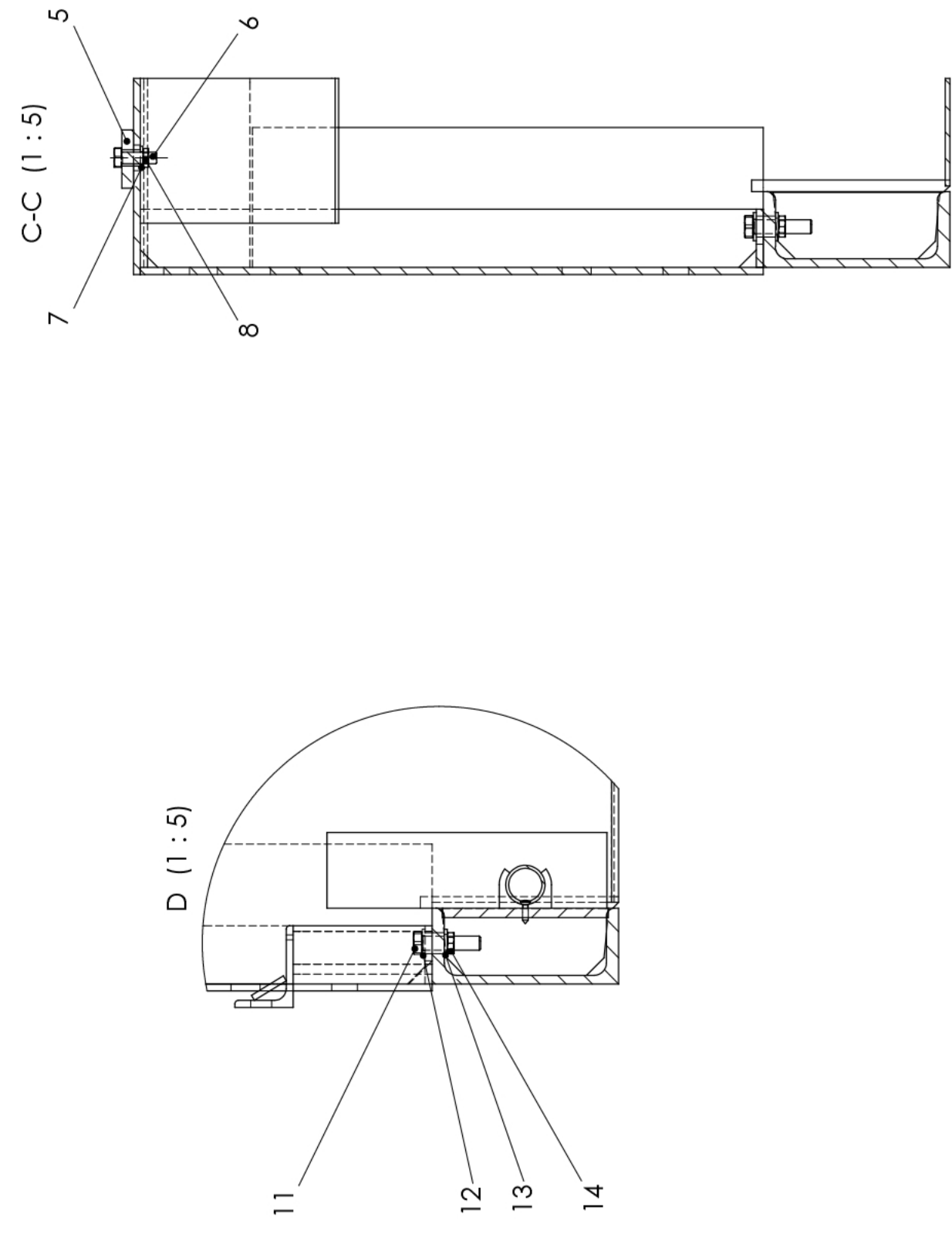
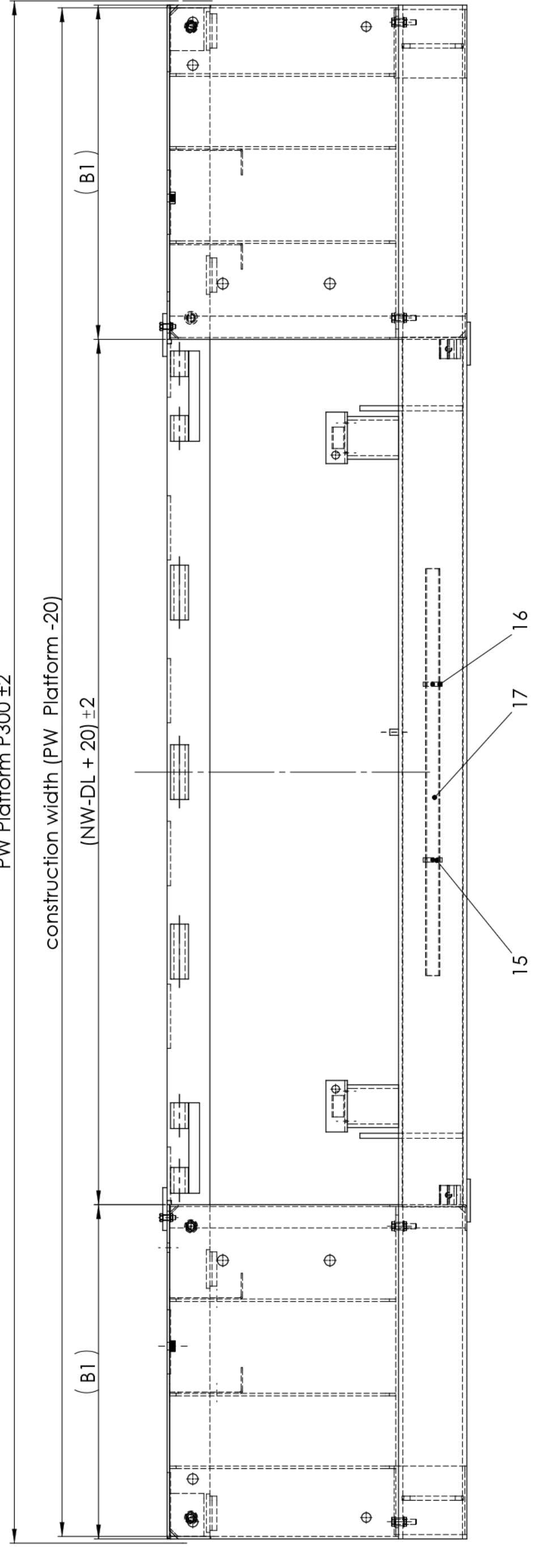
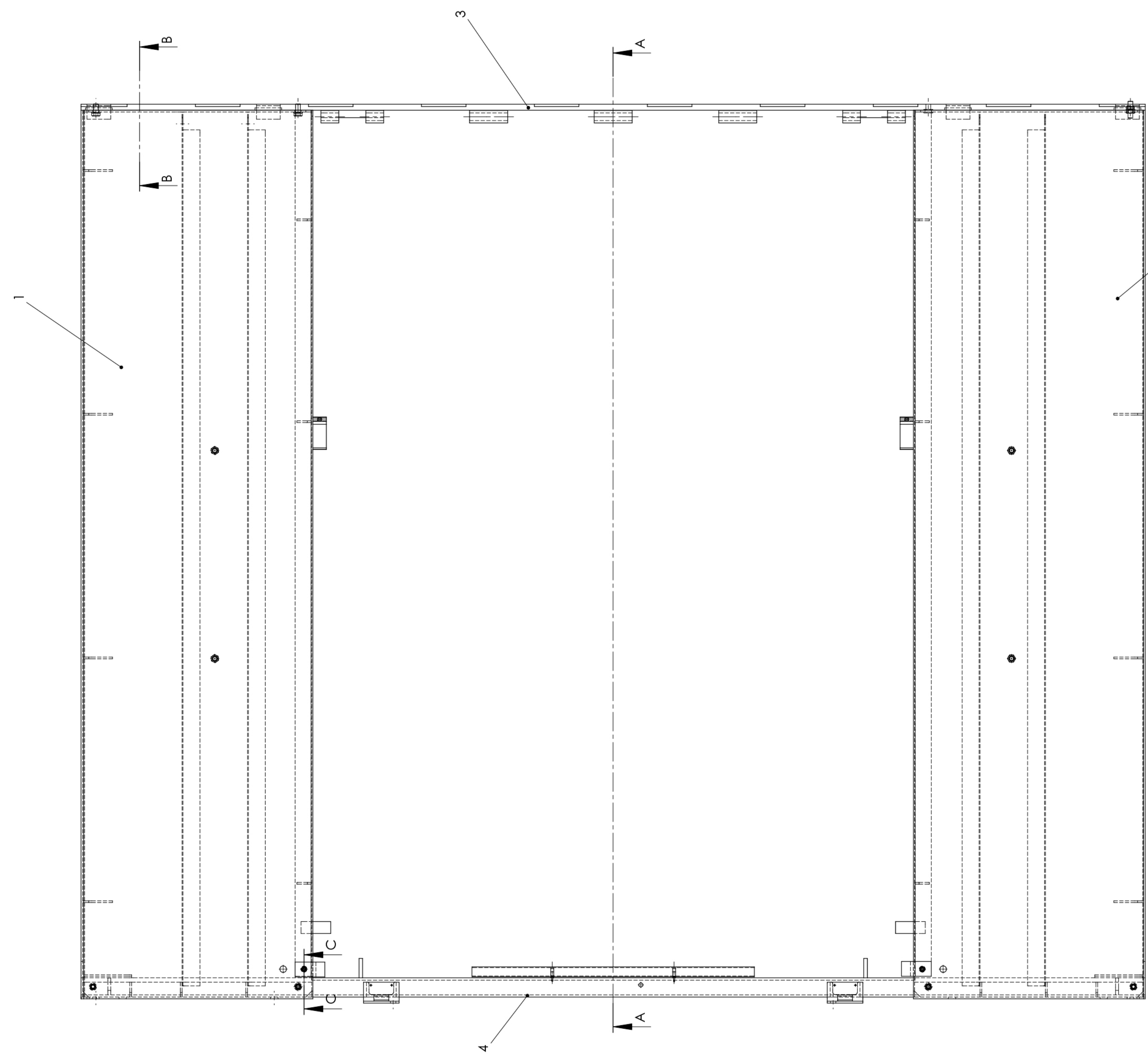
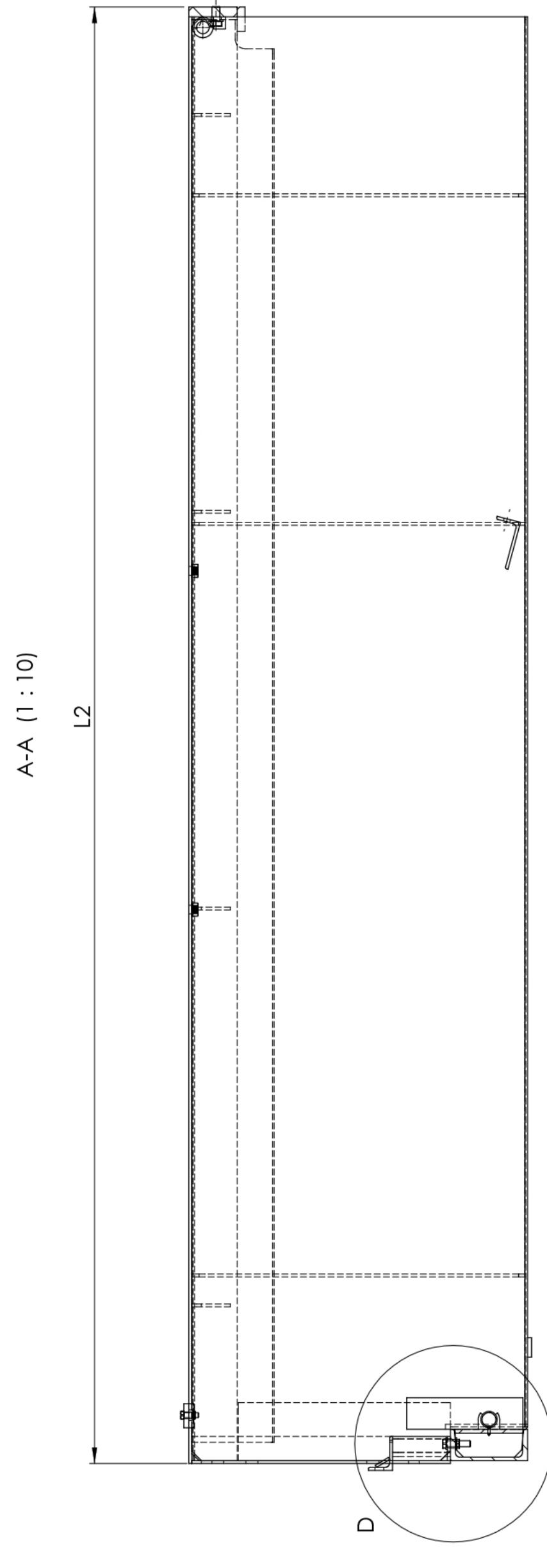


PW Platform P300 ±2

construction width (PW Platform -20)  
(NW-DL + 20) ±2



**Attention:**  
The platform frames NL<3000 mm will be delivered completely assembled!



NL [mm]	L2 [mm]	LH [mm]
2000	2010	700
2440	2450	700

NL [mm]	L2 [mm]	LH [mm]
3000	3010	700
3500	3510	800

Platform width PW 3300 mm		
NW [mm]	B1 [mm]	B2 [mm]
1750	755	905
2000	630	780
2200	530	680
2250	505	655

Platform width PW 3500 mm		
NW [mm]	B1 [mm]	B2 [mm]
1750	855	905
2000	730	780
2200	630	680
2250	605	655

Platform width PW 3600 mm		
NW [mm]	B1 [mm]	B2 [mm]
1750	905	905
2000	780	780
2200	680	680
2250	655	655

on the drawing :  
frame for Platform NL=3000; NW-DL=2000; Platform width PW=3600

17	1	service support	040-NF-NSD-50001-00
16	2	self-drilling screw 4,8x19	
15	2	Elma Clamp M32	
14	4	nut M12	DIN 934 6 galv.
13	4	washer 14	DIN 434 St. galv.
12	4	washer 13	DIN 7349 St. galv.
11	4	bolt M12x50	DIN 933 8.8 galv.
10	4	washer 17	DIN 7349 St. galv.
9	4	bolt M16x30	DIN 933 8.8 galv.
8	2	nut M10	DIN 985 8 galv.
7	2	washer 10.5-300-HV-A	DIN 125 St.galv.
6	2	bolt M10x30	DIN 933 8.8 galv.
5	2	transport fixing	040-NF-NLT-12005-00
4	1	crossbeam P300	040-NF-SAD-04000-00
3	1	crossframe P300	040-NF-SAD-03000-00
2	1	side frame left P300	040-NF-SAD-06000-01
1	1	side frame right P300	040-NF-SAD-05000-01

Item	Qty.	Description	Article No.	Standard/Material
<p>General Tolerance: EN ISO 13053-BF                  Scale: 1:1                  Drawing Date: 20.11.2010                  Drawing Number: 040-NF-SAD-01000-01                  Drawing Title: Frame for platform-P300                  Manufacturer: ronzferm                  Drawing Date: 20.11.2010                  Drawing Title: Docking Solution und Service GmbH                  Manufacturer: Springfeld 4, D-30419 Hannover</p>				