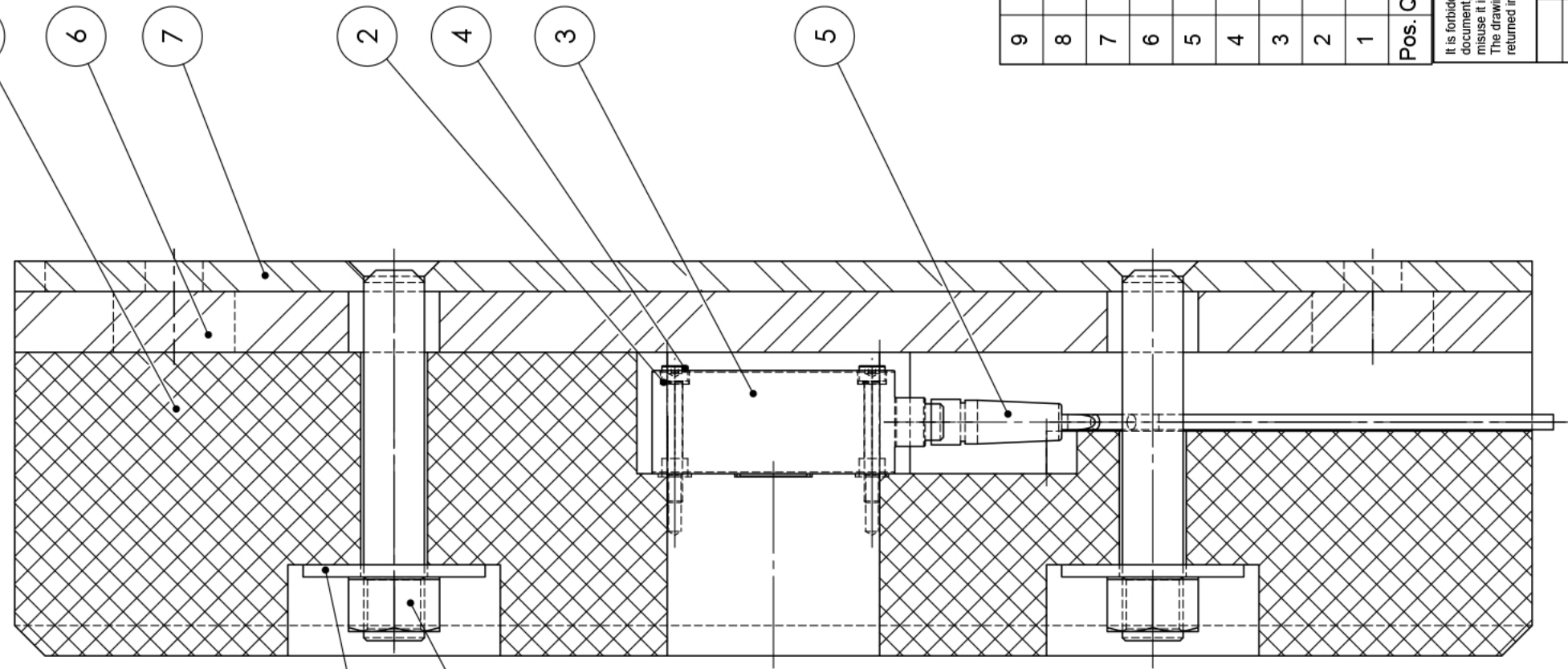
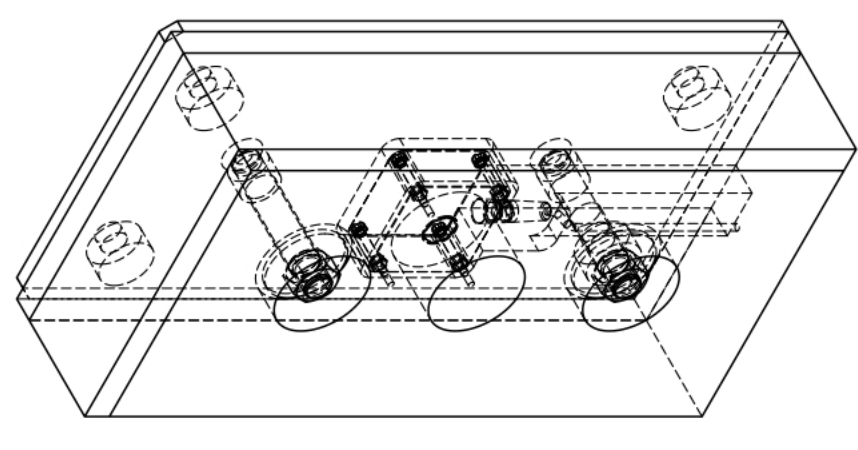


SECTION A-A  
M 1:2



Isometric View:  
M 1:5



Pos. Qty.	Description	Drawing Number	Standard	Material
9 2	Hexagon Nut ISO 4032 8FZ M20	040-NF- Nu-132790		Steel, galv.
8 2	Washer ISO 7093 FZ 22	040-NF-STP-132791		Steel, galv.
7 1	Buffer Plate with threaded Bolts	040-NF-BUF-00100-01		Rubber 70 ShoreA
6 1	Rubber Plate for Buffer 500x250	040-NF-BUF-132786		Plastic
5 1	Connecting Wire V15-G-10M-PUR 10m long	040-NF-ELE-132808		Steel 5.6 galv.
4 4	Cap Screw Socket Head ISO 4762 M5 x 40	040-NF-STP-132805		Steel, galv.
3 1	Sensor_UB2000-F42-E6-V15	040-NF-ELE-132585		Nytrex (yellow)
2 4	Spring Washer DIN 128 - A5	040-NF-STP-132803		Steel, galv.
1 1	Novo Easy Buffer for Sensor	040-NF-BUF-132799		

Name	Date
Drawn Turbansch	28.01.2013
Checked Turbansch	29.01.2013
Quality-A	

Scale	Revision
1:5	00

General Tolerance:	
ISO 2768-mK	

Delivery and break sharp edges	
Last Saved: turbansch 29.01.2013 06:05:55	

Title:	
Novo Easy Buffer with Sensor complete	

Drawing Number:	
040-NF-BUF-132801	

Material:	
A2	

Weight:	
26.288 kg	