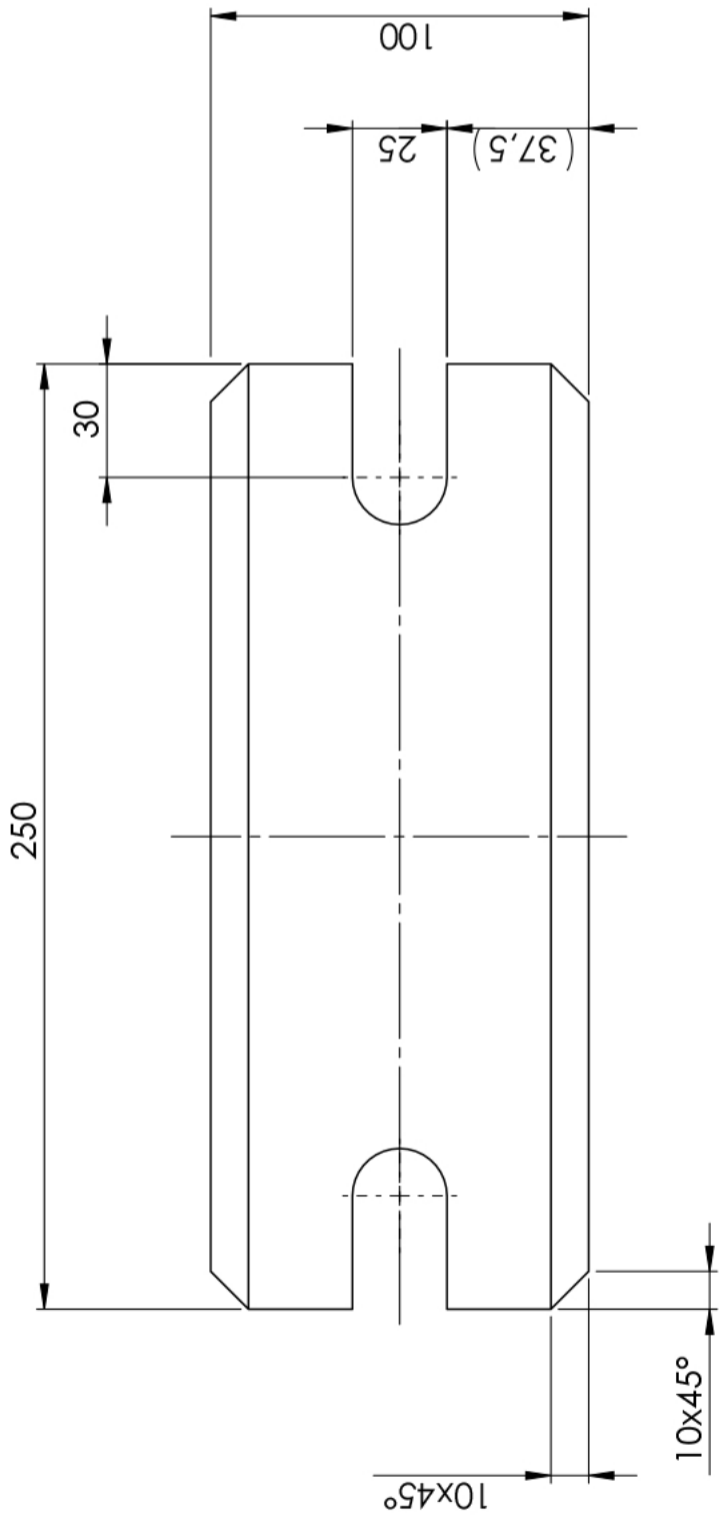
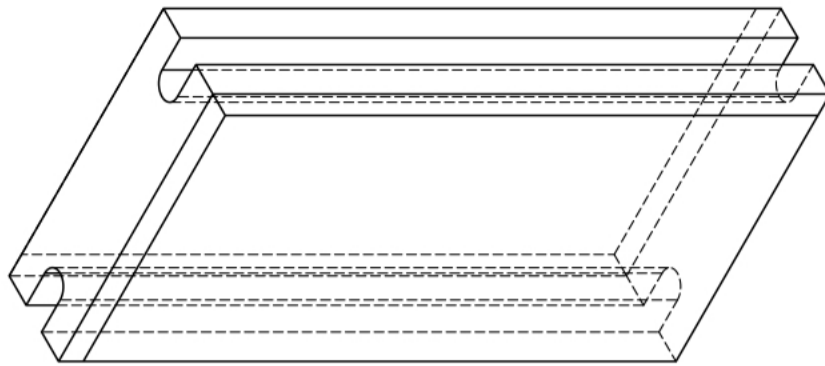


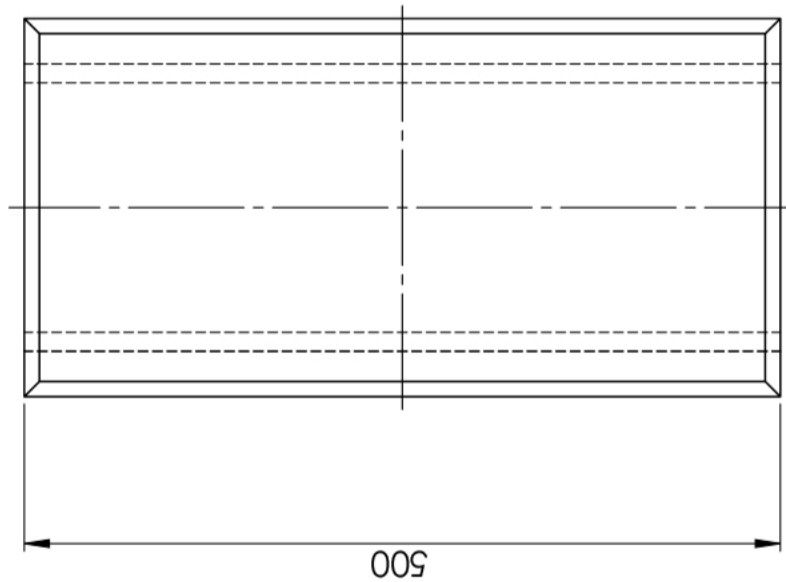
M 1:2



Isometric View:
M 1:5



M 1:5



It is forbidden by law to copy, duplicate this document, to transmit it to any third party or to misuse it in any way. The drawing remains our property and is to be returned immediately after use.		General Tolerance: ISO 2768-mK		Debur and break sharp edges		Scale: 1:5 Semifinished product:		Revision: 03	
Name		Date		Last Saved:		Title:		Drawing Number:	
Drawn	Turbanisch	07.09.2012		turbanisch	29.01.2013 09:07:08	Contact Plate 100mm for Novo Slider Buffer 140		040-NF-BUF-132566	
Checked	Turbanisch	29.01.2013						A3	
Quality-A.								Sheet 1 of 1	
								Material: Nylrex (yellow) Weight: 12.493 Kg	

mydocking
 Docking Solution und Service GmbH
 Springrad 4, D-30419 Hannover