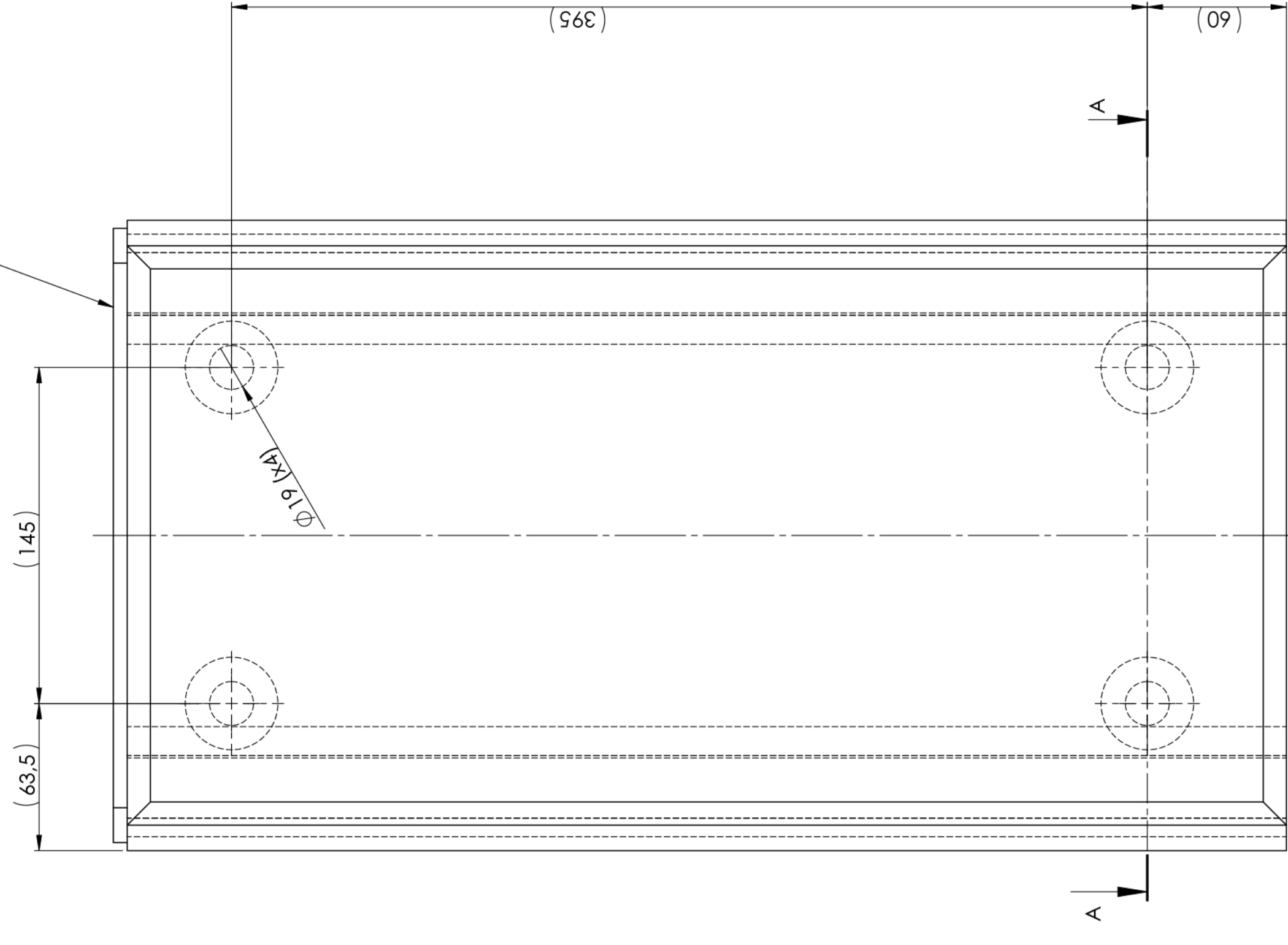
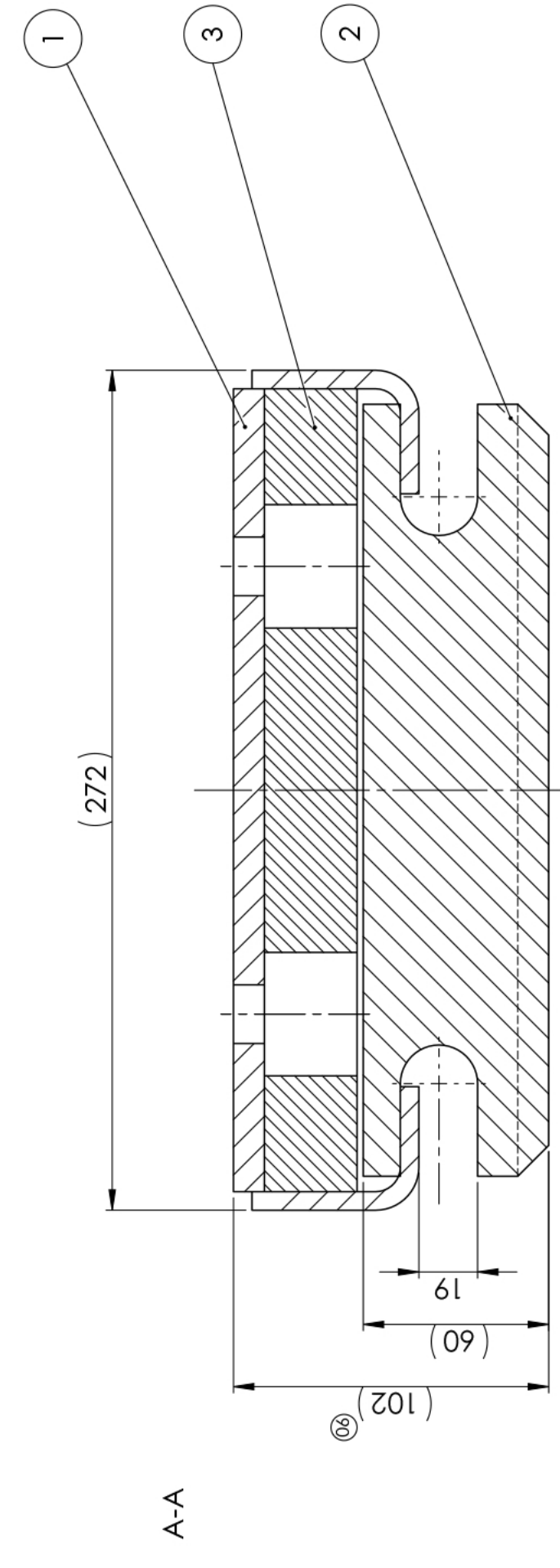
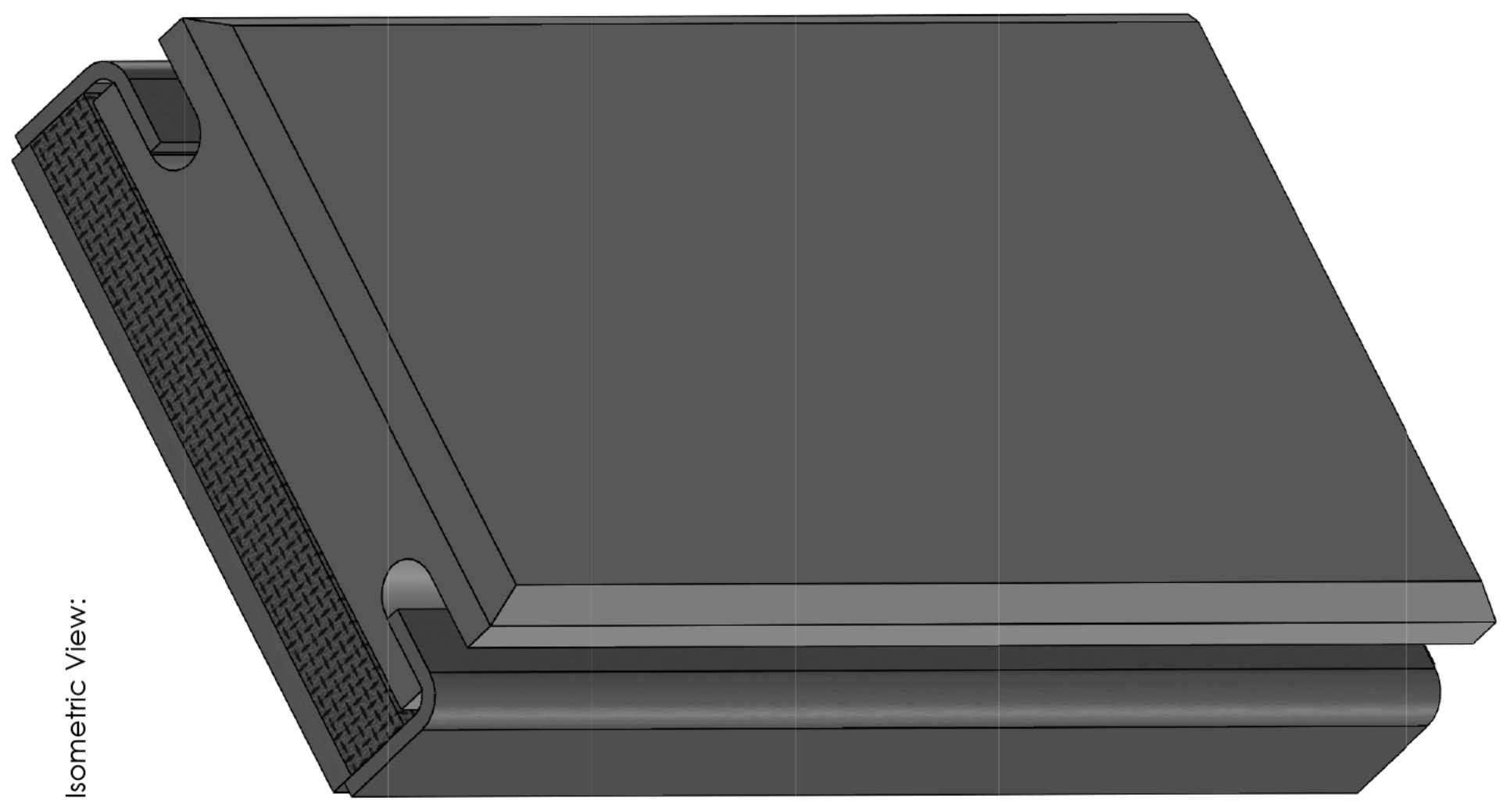


Bottom Side



Isometric View:



Pos.	Qty.	Description	Drawing Number	Standard	Material
3	1	Rubber Plate for Novo Slider Buffer	040-NF-BUF-132460		Recycled Rubber with Polyurethane
2	1	Contact Plate 60mm for Novo Slider Buffer 100	040-NF-BUF-132776		Nyrex (yellow)
1	1	Wall Part for Novo Slider Buffer 100	040-NF-BUF-132780		

General Tolerances		Refer and break sharp edges	
General Tolerances	ISO 2768-mk	Refer and break sharp edges	ISO 10303-21
Scale	1:2	Standard	Reason: 06
Name	Turbomach	Date	22.01.2013
Drawn	Turbomach	Checked	Turbomach
Quality-A		Quality-A	10.07.2013
Measure increased by 2mm	10.07.2013	Turbomach	
Density of subpart changed	11.02.2013	Turbomach	

Revision	Modification	Date	Name
04	Measure increased by 2mm	10.07.2013	Turbomach
05	Density of subpart changed	11.02.2013	Turbomach

Title	
Novo Slider Buffer 100 complete	
Drawing Number	040-NF-BUF-132782
Material	
Weight	23.392 kg